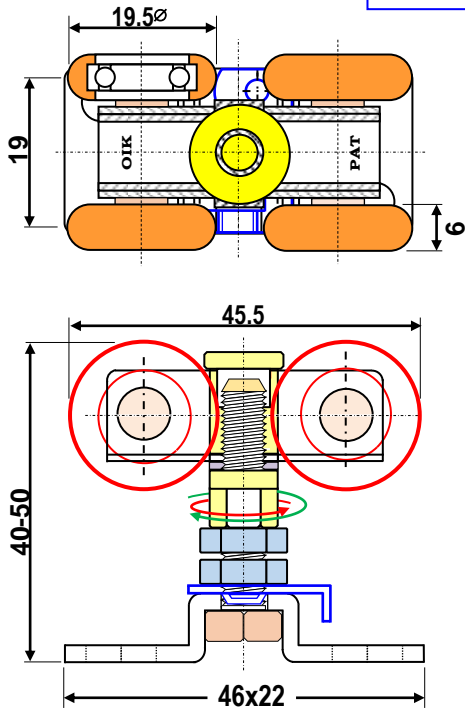


Hs-366s

Unit:mm



- ♥ Max. Loading: 100kgs/Panel
- ♥ Adjustable Height: 10mm
- ♥ SUS parts→ stand, shaft, nut, hook, screw,
- ♥ Hs-366s: 695zp Inner bearing
- ♣ **Hs-366ss**: (SUS Inner bearing= S695zp)

OIK

www.onlycorp.com, E-mail: oik@onlycorp.com